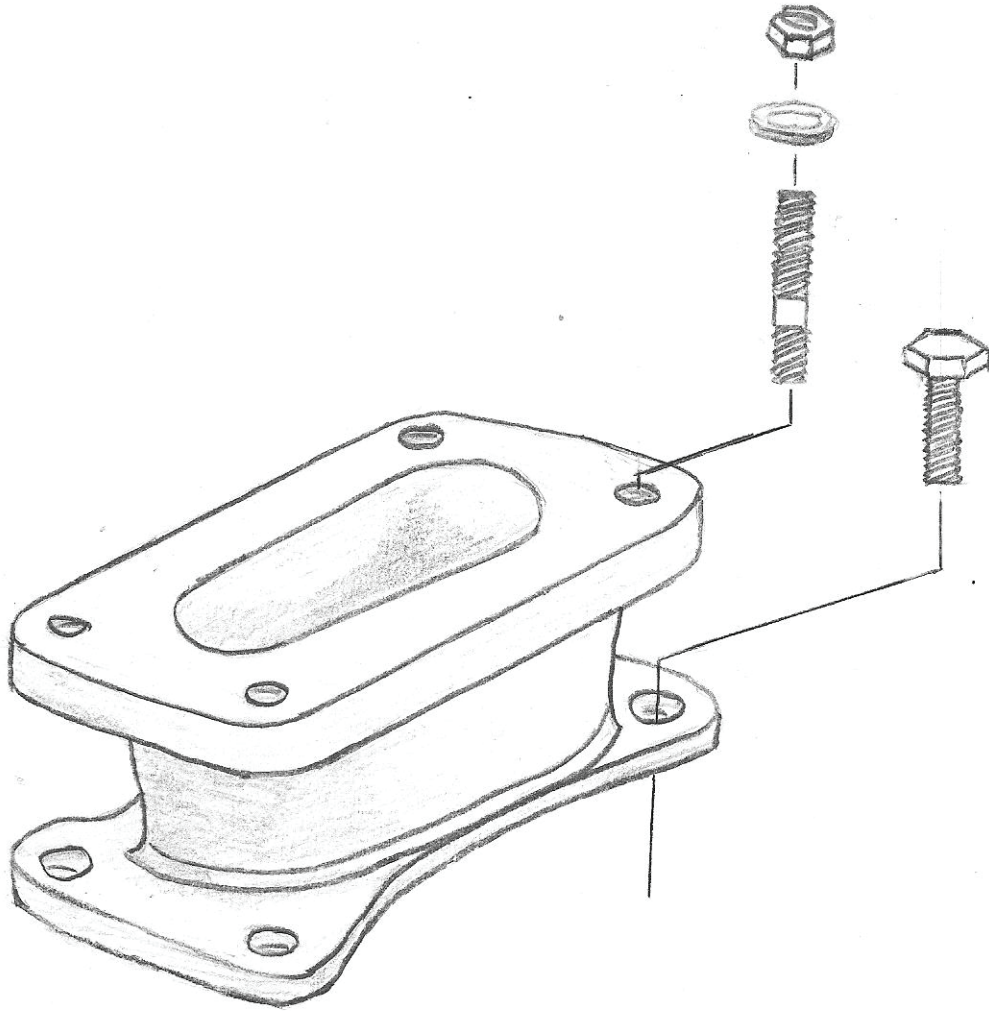


ROCKETMAN CARBURETOR ADAPTER

Thank you for purchasing a "Rocketman" Carburetor adapter. This adapter is made to fit a Weber 32/36 carburetor to your stock 1988/89 Ford Festiva intake manifold.



Installation notes:

Remove the existing studs from the manifold. Hardware installs as shown in the diagram.

It is highly recommended that you create your own gasket from gasket paper for the adapter to manifold junction. A stock gasket may not seal all the way around.

It is best to leave the studs slightly loose before fitting the carburetor. It is not necessary to tighten them completely into the adapter.